

Clean Agent Extinguishing System



동성학인텍 

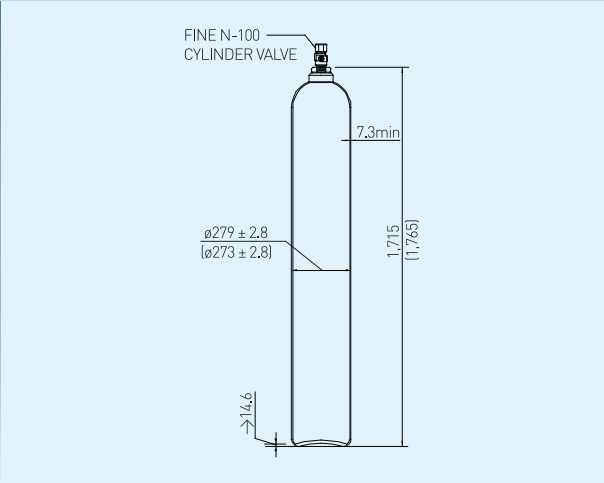
JUNSG
Green & Technology



IG-100(FINEN-100) SYSTEM

- IG-100 Cylinder
 - Cylinder Valve
 - Flared Tee
 - Rubber Tube
 - Flexible Hose
 - Pilot Cylinder
- Pilot Cylinder Valve
 - Needle Valve
- 3-way control valve

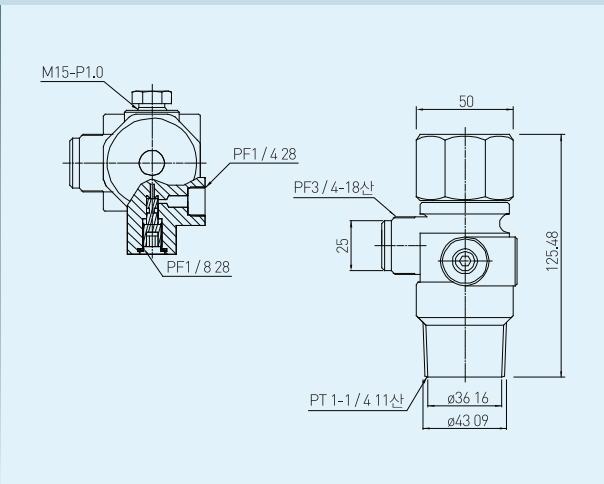
IG-100 Cylinder



A container for storing compressed gas by pressurizing 22.3 Mpa at at 21°C Agent quantity is 17.4m³

Manufacturer	DongSung FINETEC Co.,LTD		
Model No.	FTC-84		
Standard	1,720mm		
Charging Pressure	22.3MPa		
Working Pressure	24.0MPa	Test Pressure	36.0MPa
Agent Quantity	17.4β	QAgent Weight	20.3kg
Material	34Cr-Mo Steel(KGS AC212 2010)/34Cr-Mo Steel(KS B ISO 9809-1)		

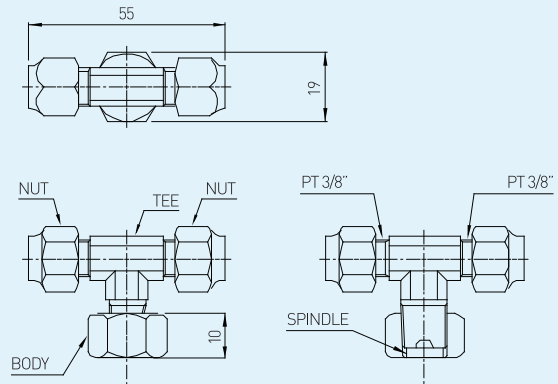
Cylinder Valve



It is a valve used to control the timing and quantity of gas flow into an engine. It functions with 9 Mpa regulating pressure at 21°C

Manufacturer	DongSung FINETEC Co.,LTD		
Model No.	FTHV-10		
Test Pressure	30.0MPa		
Working Pressure	10.0Mpa		
Discharging Pressure	9.0MPa		
Material	Brass(KS D 5101 C3771)		

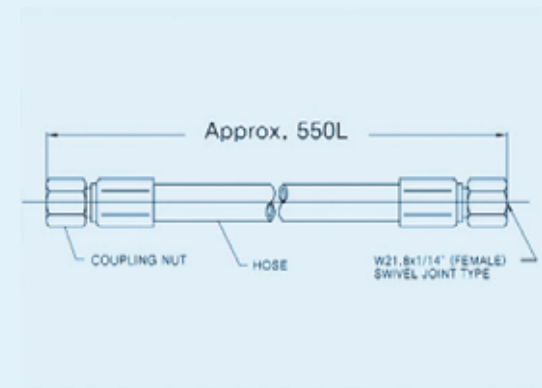
Flared Tee



Component actuating Cylinder Valve by Nitrogen gas pressure and located on top of cylinder valve. It functions as same as Needle valve on FM-200 system.

Manufacturer	DongSung FINETEC Co.,LTD
Model No.	FTFT-6
Size	6A
Material	Brass(KS D 5101 C3771)

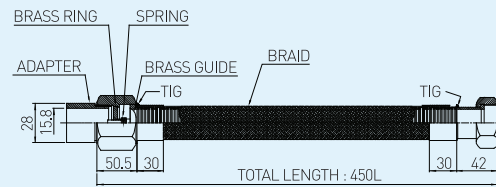
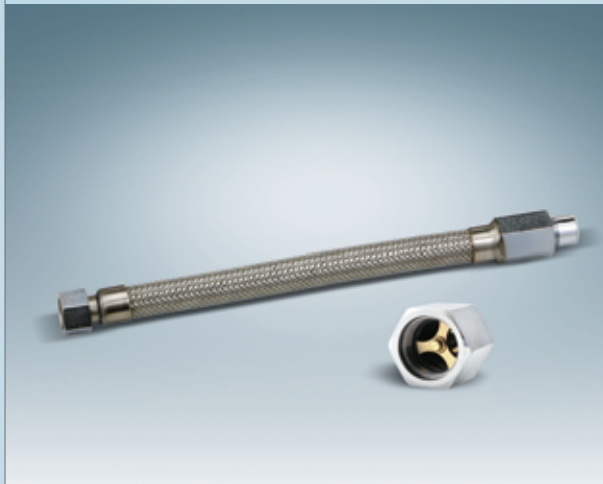
Rubber Tube



A tube made of rubber.
It can substitute copper tube.

Manufacturer	DongSung FINETEC Co.,LTD
Manufacturer	FTRT-6
Model No.	6A
Size	Brass(KS D 5101 C3771) & Rubber

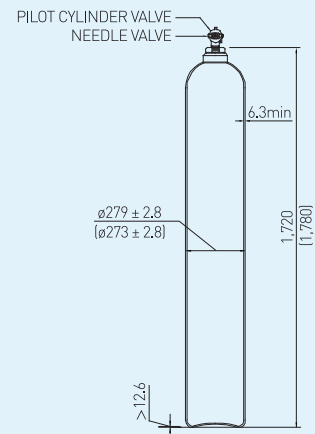
Flexible Hose



It is located between Cylinder valve and Manifold pipe and comes with check valve which keeps nitrogen gas from flowing backward.

Manufacturer	DongSung FINETEC Co.,LTD		
Model No.	FTF-15		
Size	15A		
Length	450mm		
Working pressure	10.0MPa		
Test Pressure	15.0MPa		
Material	Stainless Steel(KS D 3706 STS 304)		

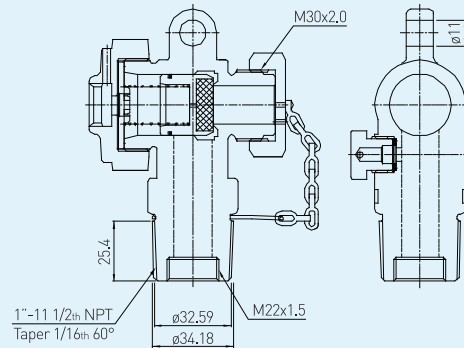
Pilot Cylinder



A Cylinder storing 10.0MPa nitrogen gas. It is activate IG-100 cylinder valve by releasing CO2 gas from Actuating Device.

Manufacturer	DongSung FINETEC Co.,LTD		
Model No.	FTC-87		
Standard	1,720mm(H) × 279mm(O.D) / 1,780mm(H) × 273mm(O.D)		
Charging Pressure	10.0MPa		
Working Pressure	15.0MPa	Test Pressure	25.0MPa
Agent Quantity	Mn-Steel(KS B 6210)		
Material	FINEN-100 Cylinder 150EA		

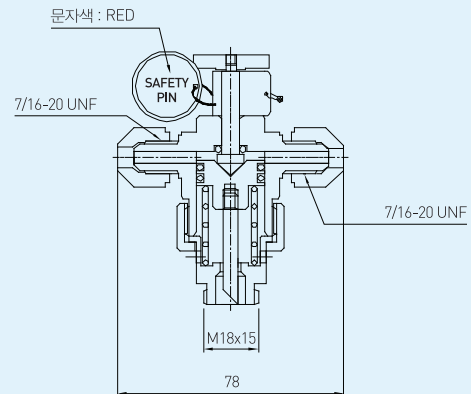
Pilot Cylinder Valve



A valve used to release nitrogen gas from Pilot Cylinder by activating Needle valve.

Manufacturer	DongSung FINETEC Co.,LTD
Model No.	FTV-15
Valve Type	F-Type valve
Working pressure	10.0MPa
Material	Brass(KS D 5101 C3771)

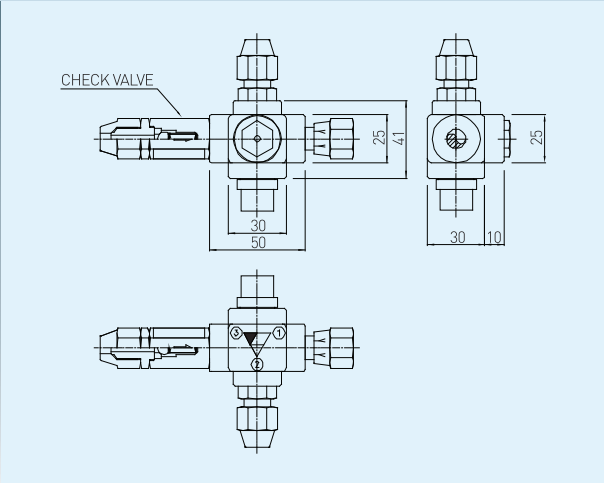
Needle Valve



It activates cylinder valve by breaking Burst Disc

Manufacturer	DongSung FINETEC Co.,LTD
Model No.	FTN-15
Diameter	6mm
Working pressure	1.8MPa
Material	Brass(KS D 5101 C3771)

3-way control valve



It uses to release quantity of fire extinguishing agent cylinder to cover Enclosure and controls nitrogen gas flow.

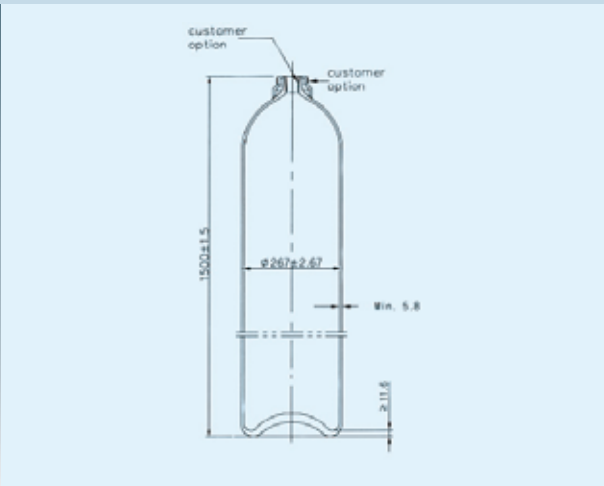
Manufacturer	DongSung FINETEC Co.,LTD
Model No.	FT-3CV
Diameter	6mm
Working Pressure	10.0MPa
Test Pressure	15.0MPa
Material	Brass(KS D 5101 C3771)



FM-200 and HFC-23 system

- Storage Cylinder
 - Cylinder Valve
- Pressure Gauge
 - Needle Valve
 - Flexible Hose

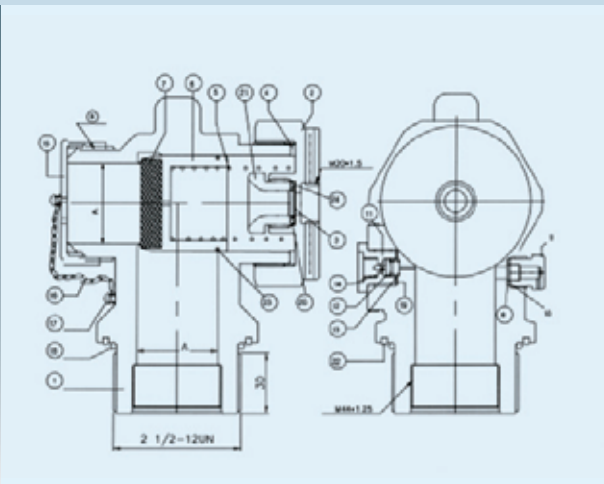
Storage Cylinder



A Mn-Steel container for storing liquefied gas at 15.0 Mpa working pressure. It should be certified by KGS.

Manufacturer	DongSung FINETEC Co.,LTD	
Model No.	FTC-40	FTC-68
Water capacity	40ℓ	66ℓ
Out Diameter	232mm	267mm
Length	1,175mm	1,500mm
Test Pressure	25.0MPa	25.0MPa
Working pressure	15.0MPa	15.0MPa
Color	Gray	Gray
Net weight(Cylinder)	About 45kg	About 75kg
Material	Mn-Steel(KS B 6210)	Mn-Steel(KS B 6210)

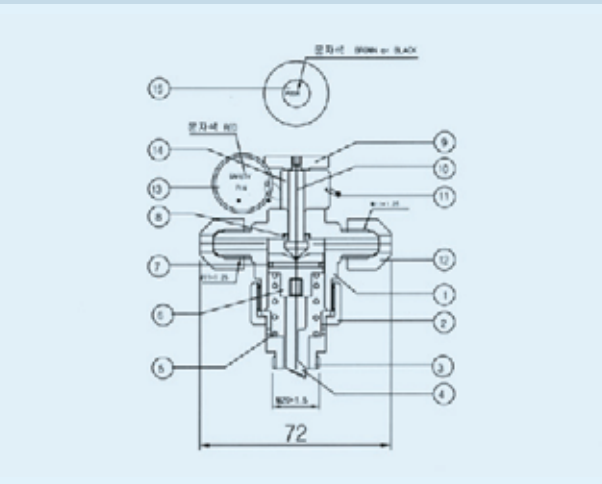
Cylinder Valve



A valve used to release fire extinguishing agent.

Manufacturer	DongSung FINETEC Co.,LTD	
Model No.	FTV-40	
Size	40mm	
Test Pressure	11.8MPa	
Working Pressure	7.1MPa	
Safer disc burst pressure	7.8-9.4MPa	
Material	Brass(KS D 5101 C3771)	

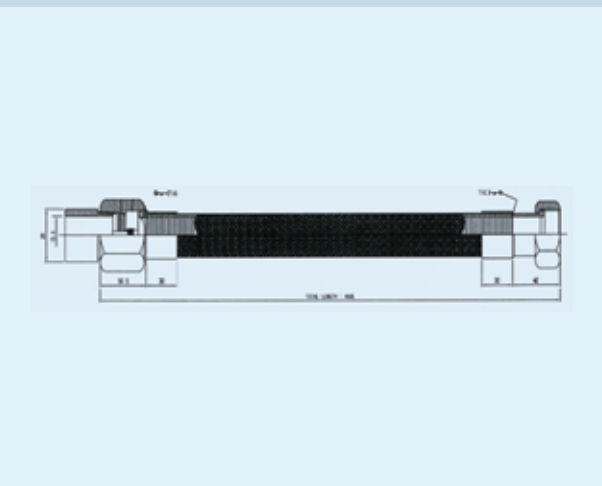
Needle Valve



It activates cylinder valve by breaking Burst Disc

Manufacturer	DongSung FINETEC Co.,LTD
Model No.	FTN-40
Diameter	6mm
Pin Size	11mm
Working pressure	1.8MPa
Material	Brass(KS D 5101 C3771)

Flexible Hose



A hose to connect between cylinder and manifold to deliver gas agent from cylinder, coming with check valve.

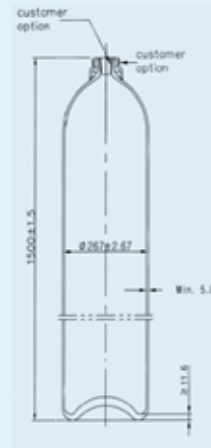
Manufacturer	DongSung FINETEC Co.,LTD
Manufacturer	DongSung FINETEC Co.,LTD
Model No.	FTF-601
Diameter	40mm
Length	601mm
Test Pressure	9.7MPa
Material	STS 304



Co2 system CO2

- Cylinder
- Cylinder Valve
- Flexible Hose
- Needle Valve

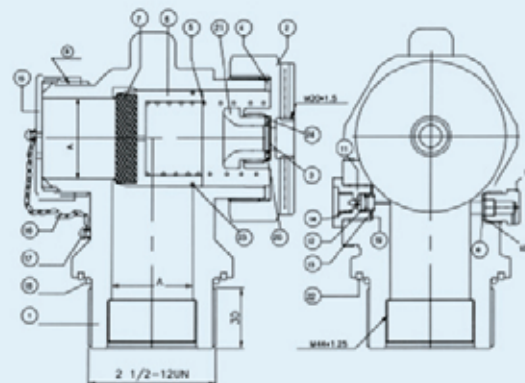
Cylinder



A cylinder for storing CO₂ gas at 15.0 Mpa working pressure.

Manufacturer	DongSung FINETEC Co.,LTD
Model No.	FTC-68
Water capacity	68ℓ
Out Diameter	267mm
Length	1,500mm
Test Pressure	25.0MPa
Working pressure	15.0MPa
Color	Blue
Net weight(Cylinder)	About 75kg
Material	Mn-Steel(KS B 6210)

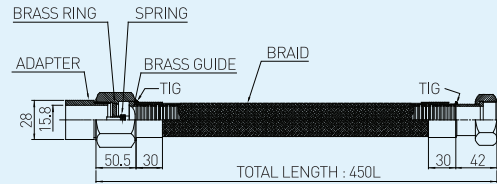
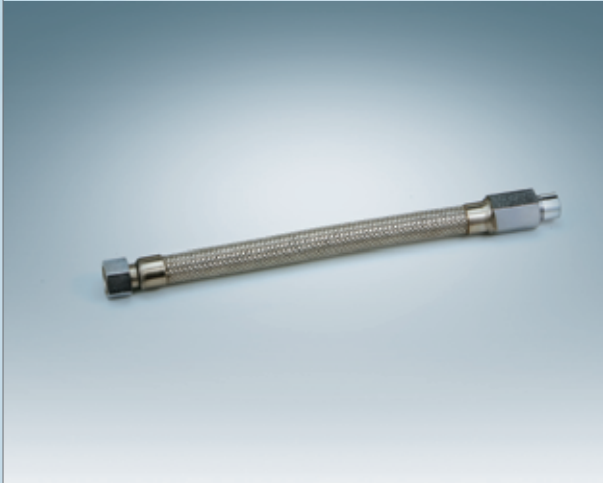
Cylinder Valve



A valve used to release fire extinguishing agent.

Manufacturer	DongSung FINETEC Co.,LTD
Model No.	FTV-15
Size	20mm
Test Pressure	24.5MPa
Working Pressure	14.7MPa
Safer disc burst pressure	17.7-24.5Pa
Material	Brass(KS D 5101 C3771)

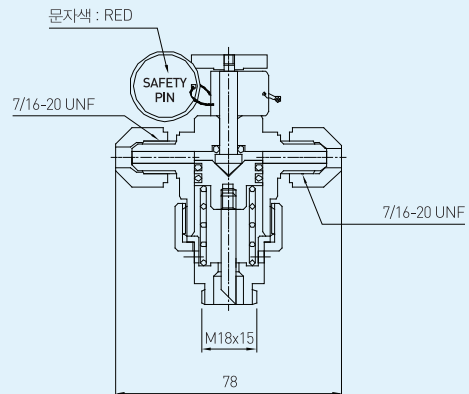
Flexible Hose



A valve used to release nitrogen gas from Pilot Cylinder by activating Needle valve.

Manufacturer	DongSung FINETEC Co.,LTD
Model No.	FTF-450
Diameter	20mm
Length	450mm
Test Pressure	15.0MPa
Material	STS 304

Needle Valve



It activates cylinder valve by breaking Burst Disc

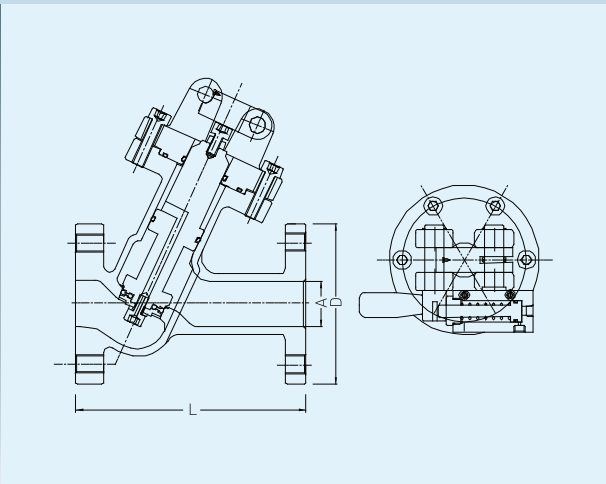
Manufacturer	DongSung FINETEC Co.,LTD
Model No.	FTN-15
Diameter	6mm
Working pressure	1.8MPa
Material	Brass(KS D 5101 C3771)



Others

- Selection Valve
- Discharge Nozzle
 - Safety valve
 - Check Valve
 - Relief Valve
- Piston Releaser
- Damper Reset Box
 - Actuating Device
- Manual Operation Box
 - Discharge Lamp
 - Electronic Siren
 - Pressure Switch
 - Solenoid Valve
- Modular Control Panel

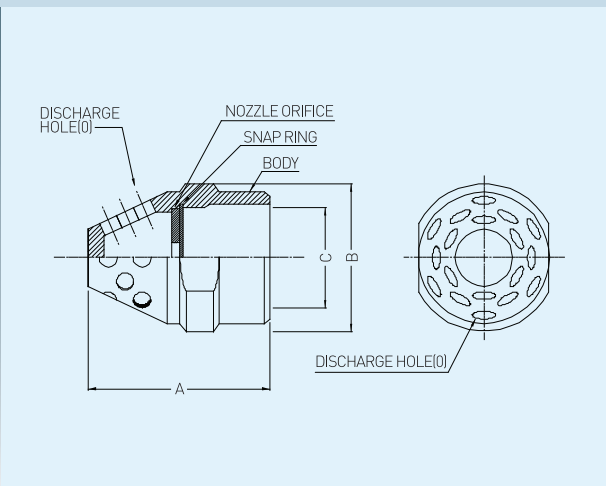
Selection Valve



A valve discharges gas agent selectively to where it is needed if you need to make single manifold with more than two Enclosure.

Manufacturer	Korea Special Valve(Korea SV)
Model No.	KV-25-150
Working Pressure	11.0MPa
Test Pressure	16.5Mpa
Leak Test	13.2MPa
Method of Operation	Pneumatic Type/Laver Type
Material	Stainless Steel Casting(KS D 4103 SSC13A)

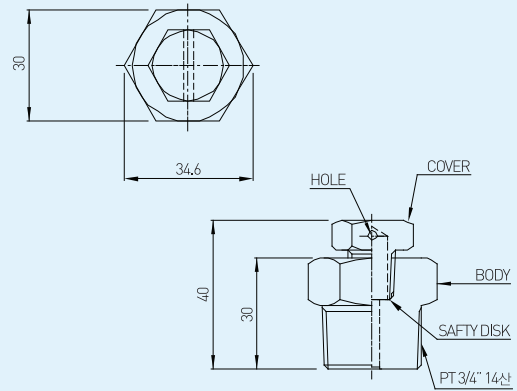
Discharge Nozzle



A Nozzle to discharge gas agent to Enclosure effectively, making agent quantity and timing on time.

Manufacturer	DongSung FINETEC Co.,LTD
Model No.	FTN-15-50 FTNS-15-50 FTHS-15-50(for IG-100 system exclusively) FTHH-15-50
Size	15A-50A
Material	Aluminium(KS D 6763 A6061) / Brass(KS D 5101 C3604)

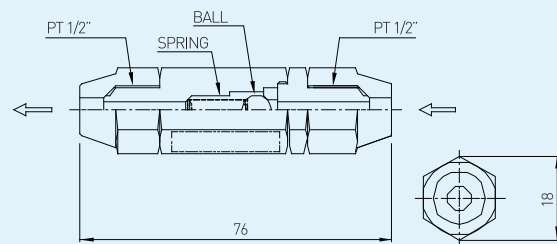
Safety valve



A valve which automatically releases gas agent when the pressure exceeds preset limits. It prevents manifold broke down.

Manufacturer	DongYang Engineering
Model No.	DY-SFV-01
Diameter	6mm
Material	Brass(KS D 5101 C3604)

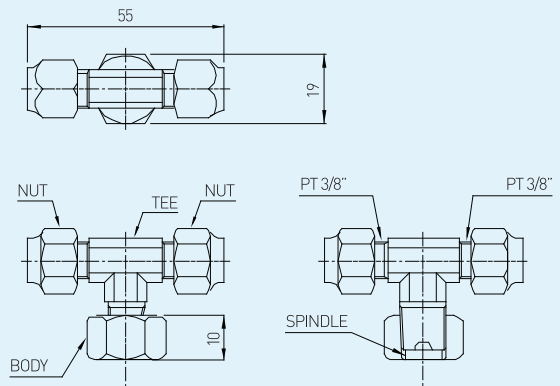
Check Valve



A check valve which keeps CO2 from flowing backward.

Manufacturer	DongYang Engineering
Model No.	DY-CV6A-01
Diameter	6mm
Leak Test	6.5MPa
Hydraulic test	9.8MPa
Material	Brass(KS D 5101 C3604)

Relief Valve



A valve used to control gas agent discharge mistakenly when CO2 cylinder leaks.

Manufacturer	DongYang Engineering
Model No.	DY-RV-T01
Diameter	6mm
Working Pressure	0.1-0.3MPa
Material	Brass(KS D 5101 C3604)

Piston Releaser



By discharged gas pressure, Piston Release Damper is shut down. It is installed on Damper.

Manufacturer	DongYang Engineering
Model No.	DY-P-01
Test Pressure	7.5MPa
Working Pressure	0.5MPa
STROKE	37mm

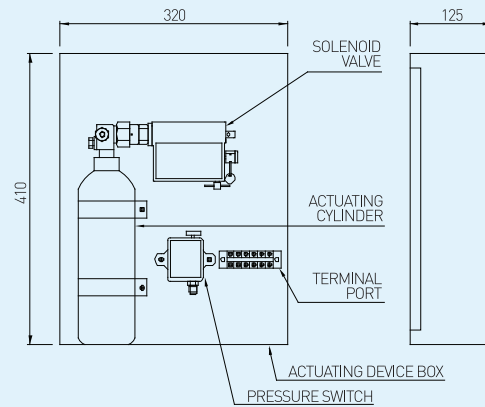
Damper Reset Box



It is used for restoring the piston release damper to its former condition.

Manufacturer	FEEM KOREA	
Model No.	FKDB-01	FKDB-02
Standard	87(W) x56(D) x127(H)_exposure type	87(W) x56(D) x127(H)_Flush type
Size	6A	
Color	IVORY	

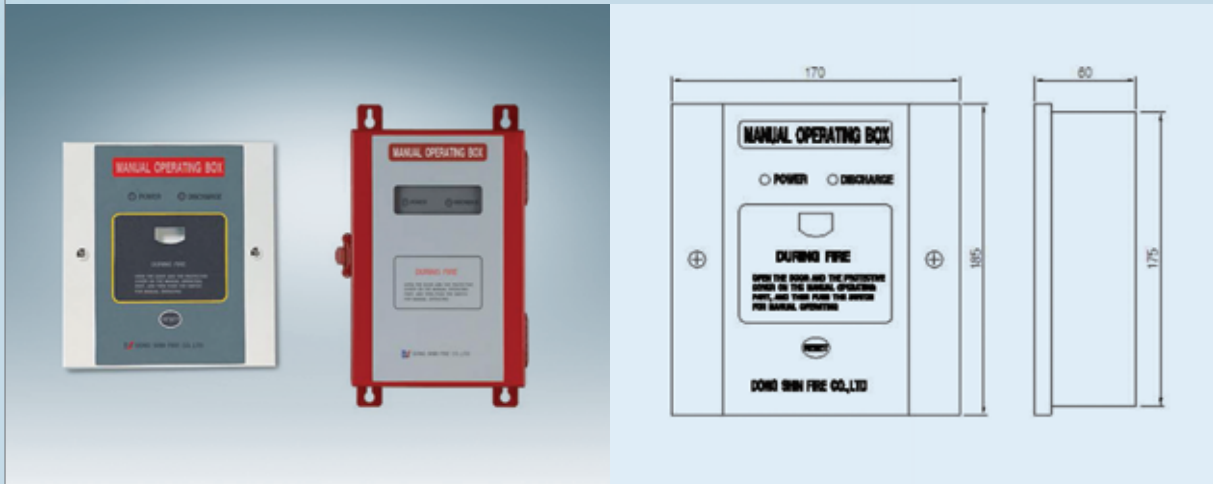
Actuating Device



Activating device to release high pressured gas from CO2 cylinder by using solenoid valve. The discharged gas opens selection valve and cylinder valve.

Manufacturer	DongShin Fire CO.,LTD	
Model No.	NK-AD-01	
Standard	0.65kg/1L, DC-24V	
Dimension	320mm(W) x 125mm(D) x 410mm(H)	
Material	SSC 13A	
accessories and parts	Actuating cylinder, Pressure switch, Solenoid valve	

Manual Operation Box



A firearms term describing any type of firearm action that is loaded one shot at a time by the user rather than automatically. Located near main door to discharge gas agent manually.

Manufacturer	DongShin Fire CO.,LTD
Model No.	DMB-1
Dimension	170mm(W) × 60mm(D) × 185mm(H)
Color	Pale yellow
Operating Voltage	DC-24V

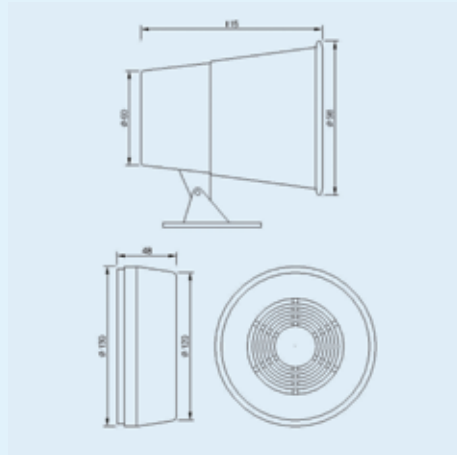
Discharge Lamp



Lamp to indicate danger of Enclosure when gas agent discharged.

Manufacturer	DongShin Fire CO.,LTD
Model No.	DS-DLX21
Dimension	272mm(W) × 45mm(D) × 94mm(H)
Color	Pale yellow
Operating Voltage	DC-24V
Rated Current	120mA

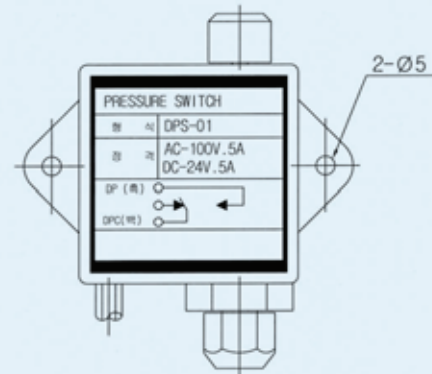
Electronic Siren



A device to make sound to let people know when gas agent is released to enclosure.

Manufacturer	DongShin Fire CO.,LTD	
Model No.	DEX-2	
Type	Horn Type	Circle Type
Dimension	115 _{mm} (W) × ø97 _{mm} × ø60 _{mm}	160 _{mm} (W) × ø80 _{mm} (D) × ø220 _{mm} (H)
Volume	90dB or more	90dB or more
Color	Pale yellow, Red	White
Operating Voltage	DV-24V	DC-24V
Rated Current	300mA	300mA

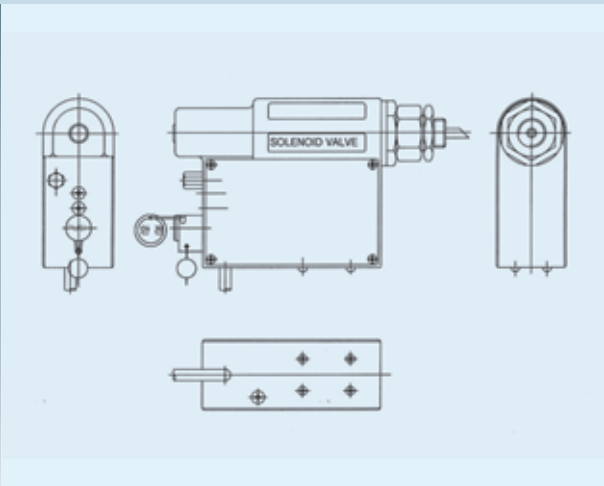
Pressure Switch



A device to turn on the discharge Lamp, it is activated by outlet gas pressure.

Manufacturer	DongYang Engineering
Model No.	DY-PS-01
Dimension	67mm(W) × 28mm(D) × 62mm(H)
Color	Black
Operating Voltage	DC-24V
Rated Current	5A

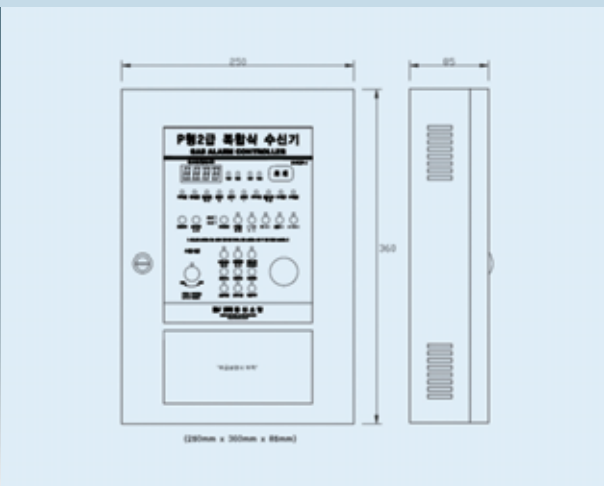
Solenoid Valve



It is an electromechanically operated valve. It activates CO2 cylinder valve in actuating device

Manufacturer	DongYang Engineering
Model No.	DY-SV-01
Dimension	135mm(W) × 25mm(D) × 103mm(H)
Color	Red
Operating Voltage	DC-24V
Rated Current	1.5A

Modular Control Panel



It controls a manual operation box, smoke & heat detectors, Siren, Solenoid valve and so on.

Manufacturer	DongShin Fire CO.,LTD
Model No.	DSCP-01
Dimension	250mm(W) × 85mm(D) × 360mm(H)
Color	Ivory
Circuit Specification	Single
Rated Current	AC220V/60Hz



Cabinet Type Automatic Fire extinguishing system

DFM-1~2, DFE-1~2
DONGSHIN FIRE CO., LTD

● Cabinet Type Automatic Fire extinguishing system



• Feature & installation

Easy installation

No additional storage

Not need to lay additional pipe

Automatic Fire Extinguishing system. Thus, it works safely in unmanned equipment room or at night.

• Installation Place

Where electrically nonconductive extinguishing agent is needed, or where possible 2nd damage after fire extinguishment is expected.

Where small containers are needed but storage is not available

Where neither additional pipe nor storage is needed

• Performance Property

Same as general extinguishing system as Total Flooding System

As you use the small number of vessels, starting method will be used primarily for Solenoid Valve

Manufacturer	DongShin Fire CO.,LTD	
dimension	1B/T	450 × 430 × 1,900mm
	2B/T	620 × 430 × 1,900mm
Control panel	DC 24V IC circuit	
Urgent power	DC 24V Ni-Cd battery	
Component	Control Panel, Cylinder, Solenoid valve, Cylinder valve, Manifold, Nozzle, Needle, Flexible hose, Pressure switch	



Modular System

FTMS-1~3, FTMS-N1~N3
DongSung FINETEC

Modular System



• Feature & installation

- No additional storage
- Possible to install more than 2 cylinders
- Easy installation
- Possible to install nozzle where you want with additional pipe set up.

• Installation Place

- Wherever Cabinet Automatic Fire Extinguishing system is applied
- Wherever several containers are needed but storage is not available
- Wherever not only additional pipes are needed, but also storage is needed

• Performance Property

- Same as general extinguishing system as Total Flooding System

Manufacturer	DongSung FINETEC Co.,LTD		
Dimension	Specification	FTMS-N1-N3	FTMS-1-3
	1B/T	590 ×450 ×2,200	450 ×450 ×1900mm
	2B/T	860 ×450 ×2,200	660 ×450 ×1900mm
	3B/T	1,190 ×450 ×2,200	970 ×450 ×1900mm
Material	Steel 1.6t		
Color	Ivory		
Component	Cylinder, Solenoid valve, Cylinder valve, Manifold, Nozzle, Needle, Flexible hose, Pressure switch		



제조원(Manufacturer) : (주)동성화인텍(DongSung Finetec Co.,Ltd)
10F, Rosedale Bldg, 724, Suseo-Dong, Gangnam-Gu, Seoul, Korea(135-744)
TEL : 82-2-2185-7082 / FAX : 82-2-2185-7024



판매원(Seller) : (주)윤성지엔티(YunSung G&T Co.,Ltd)
Garden 5 Life, Techno-8106, Munjung-Dong, Songpa-Gu, Seoul, Korea(138-200)
TEL : 82-2-3411-2119 / FAX : 82-2-3411-3119 / C.P : 82-2-10-6340-6365